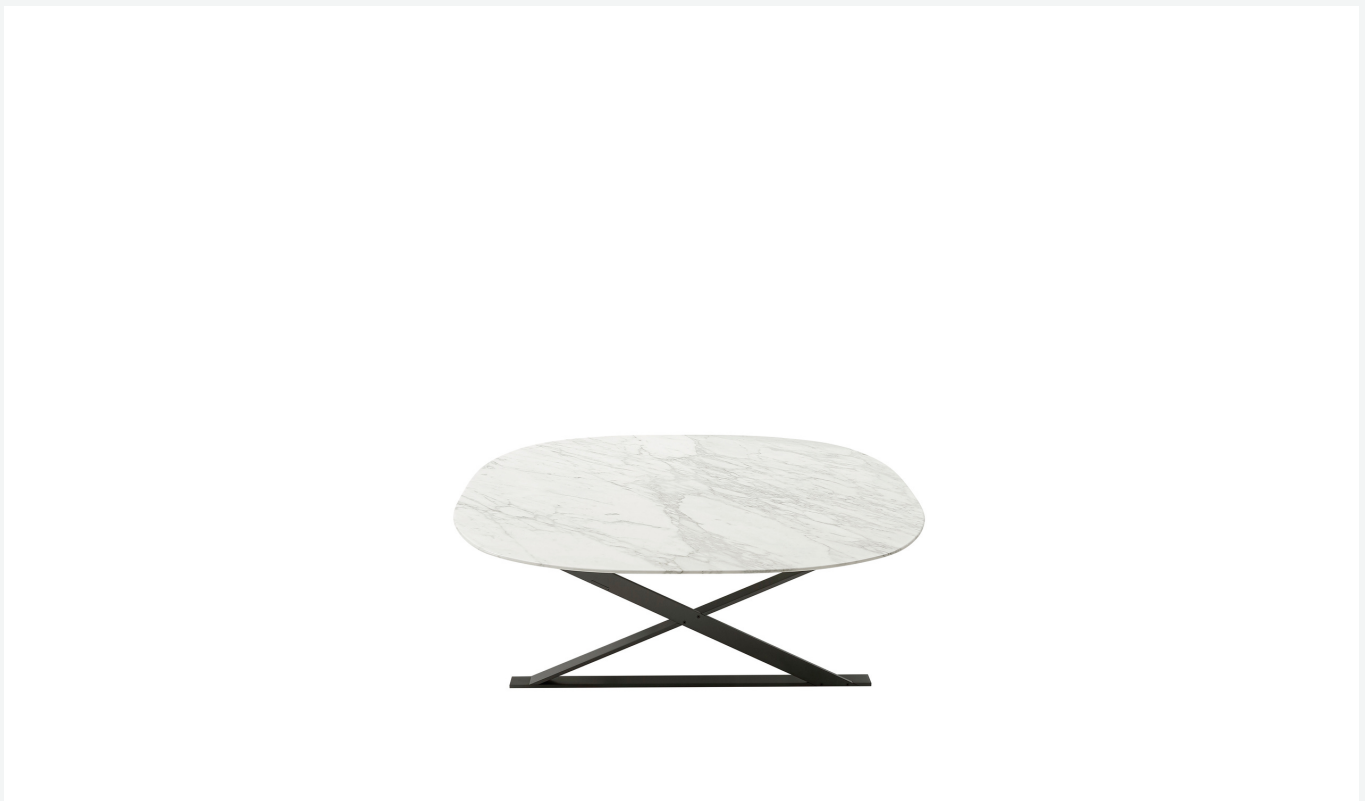


Pathos

SMALL TABLES

2009

Antonio Citterio



Description

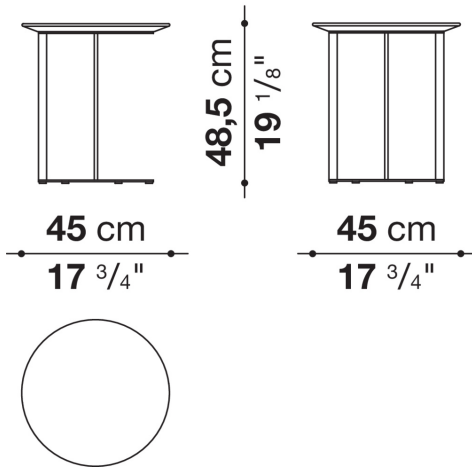
Pathos is a complete collection of extremely elegant small tables available in two versions: a lower one with a characteristic X-shaped frame, available with square and rectangular tops with rounded corners and bevelled edges; and a second one, available in different heights, featuring round and oval tops that echo the refined detail of the edges. Both versions are available in a wide range of finishes.

Technical information

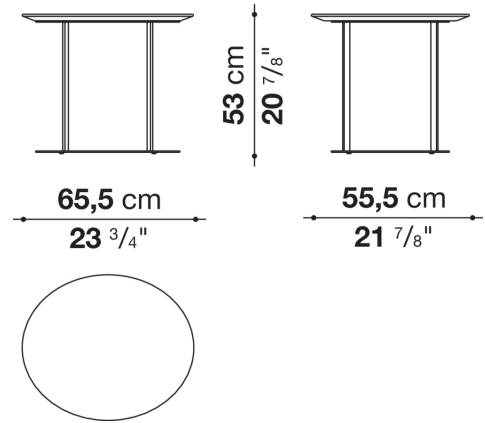
Top
MDF wood fibre panel or marble (glossy polyester finish or matt polyester finish)
Support frame
drawn steel
Ferrules
plastic material

Technical drawings

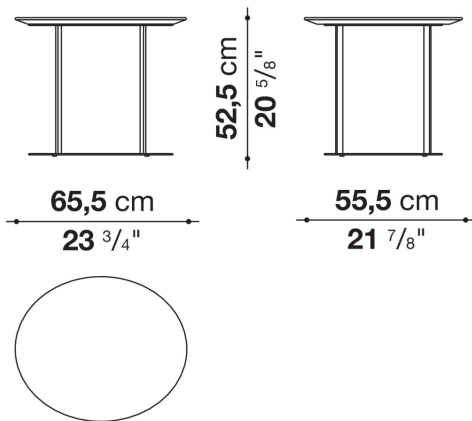
SMT4L



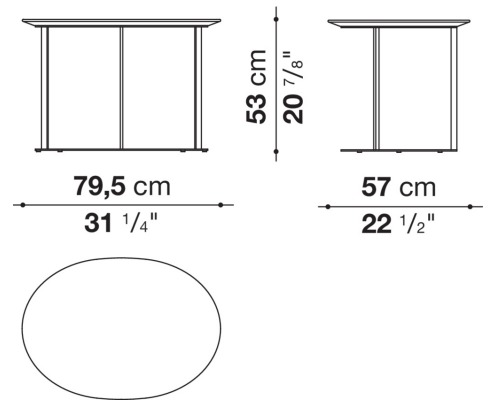
SMT05L



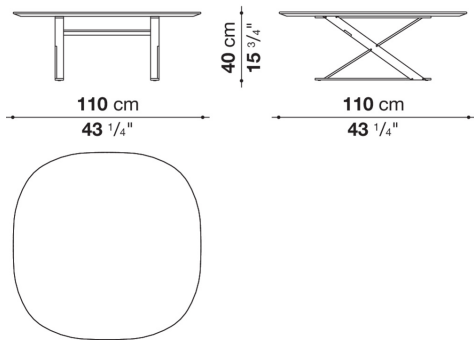
SMT05P



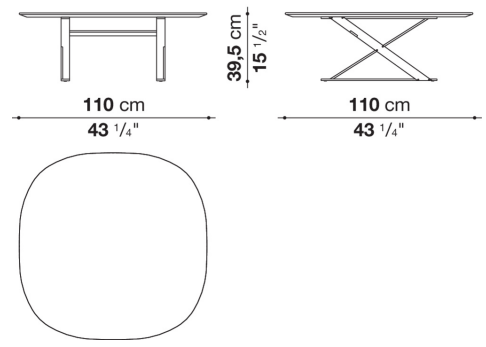
SMT08L



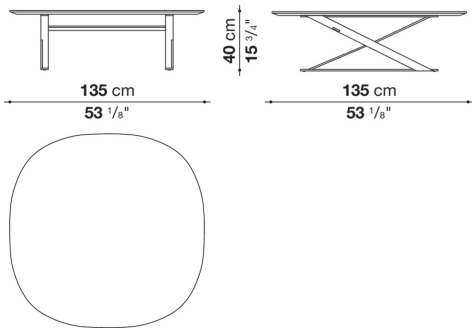
SMTV11



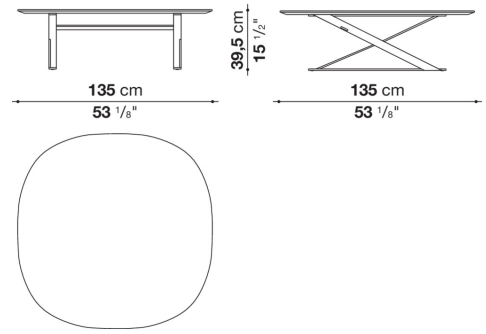
SMTV11P



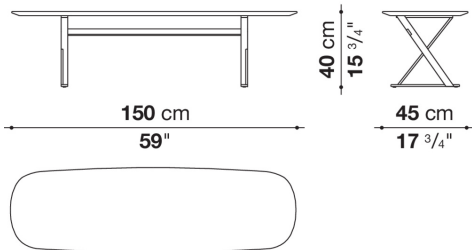
SMTV14



SMTV14P



SMTB15



SMTB19

