

Sidus

COMPLEMENTS

2004

Antonio Citterio



Description

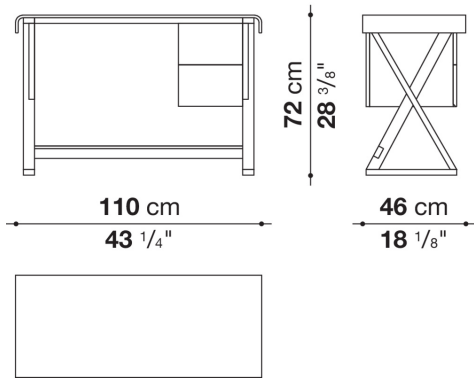
Sidus is a precious writing desk with rectangular top in curved wood or with an or with an unusual “bean” shape. Equipped with practical drawers, it is available in different sizes and finishes, also in the version with cable glands for functional and refined home office stations.

Technical information

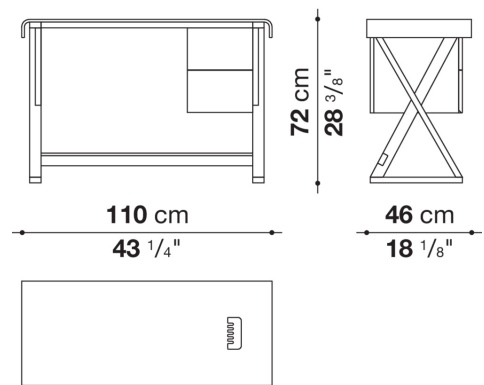
Top (SMSC11-SMSC13-SMSC17)
veneered multi-layered wood panel or covered in thick leather
Top (SMSC14)
veneered multi-layered wood panel
Top section (SMSC17_S)
steel sheet covered in leather
Frame
solid wood, veneered wood particles panel
Drawer
veneered multi-layered wood panel
Cable flap
steel
Ferrules
plastic material

Technical drawings

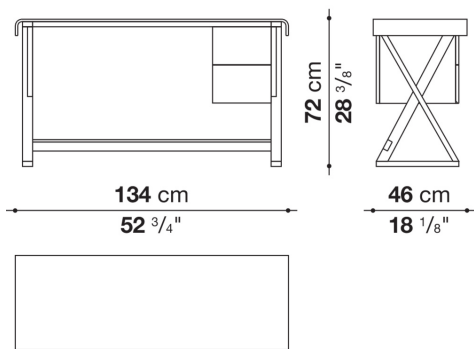
SMSC11



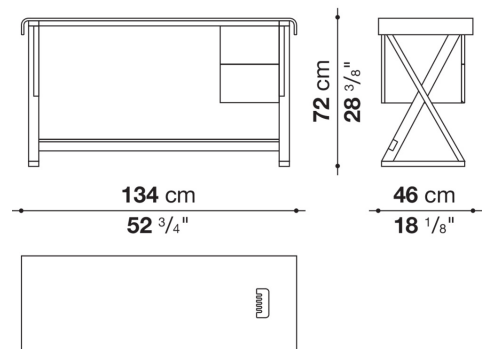
SMSC11_N



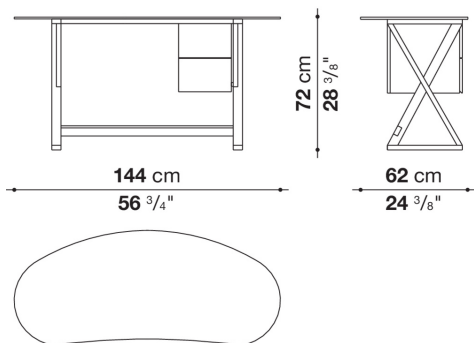
SMSC13



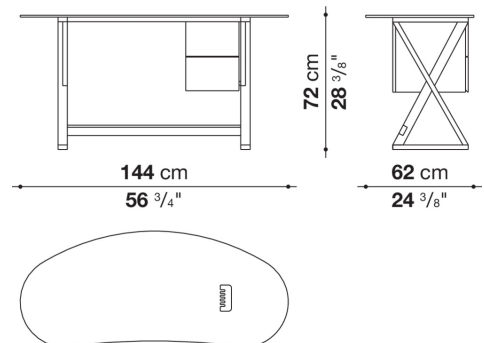
SMSC13_N



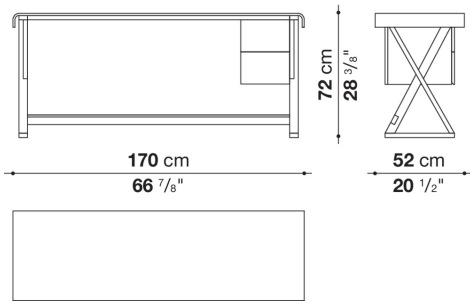
SMSC14



SMSC14_N



SMSC17



SMSC17_N

