

## Pathos '13

SMALL TABLES

2013

Antonio Citterio



## Description

---

The Pathos '13 service element stand out for the iconic X-shaped metal frame characterising the entire collection of tables and furnishings of the same name. While designed essentially as bedside tables, their versatile nature is underscored by the numerous finishes of the top, which makes them easy to use in any area of the house.

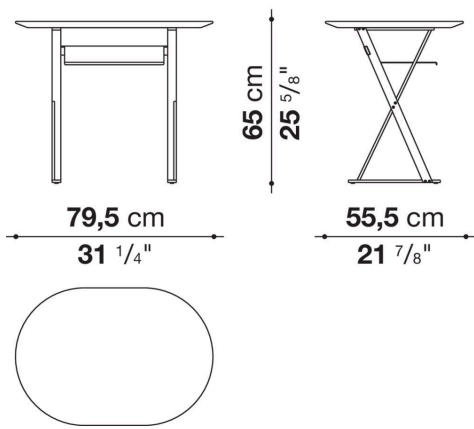
## Technical information

---

Top  
MDF wood fibre panel  
Support frame  
drawn steel  
Ferrules  
plastic material

# Technical drawings

## SMCE8



## SMCE7A

