

Pathos

TABLES

2011

Antonio Citterio



Description

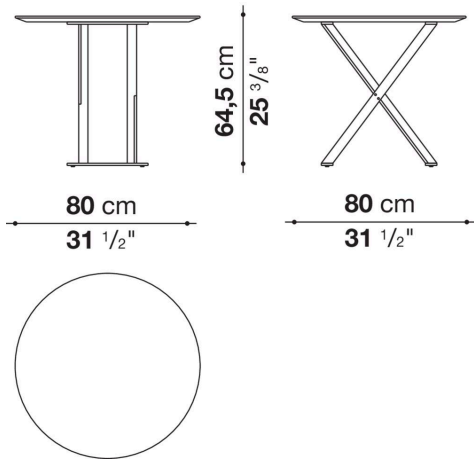
The Pathos table is available with round, rectangular or square top, with rounded corners and refined details on the curved edges and can be in marble or in MDF wood fibre painted in the glossy colours. The support frame with X-shaped legs is in steel available in various finishes.

Technical information

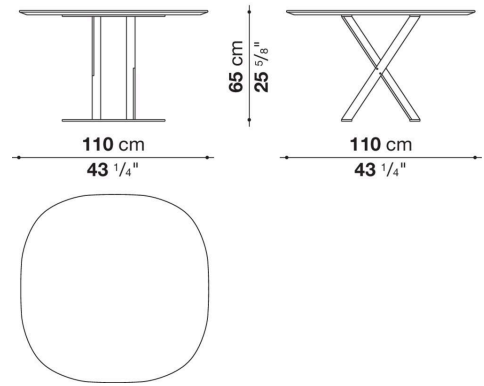
Top
MDF wood fibre panel or marble (glossy polyester finish or matt polyester finish)
Support frame
drawn steel
Ferrules
plastic material

Technical drawings

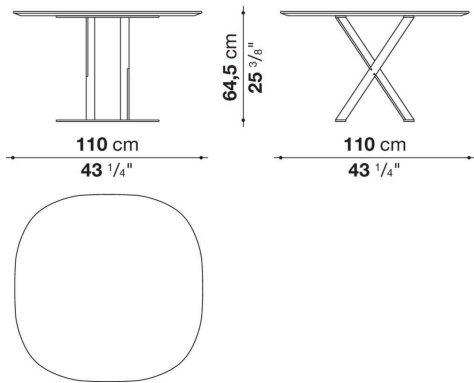
SMT8P



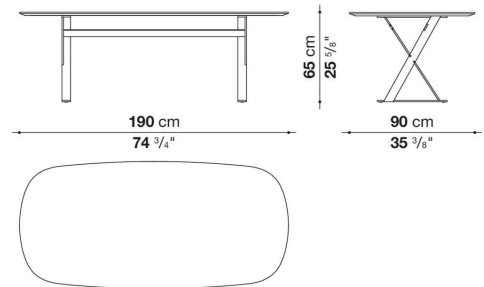
SMT11L



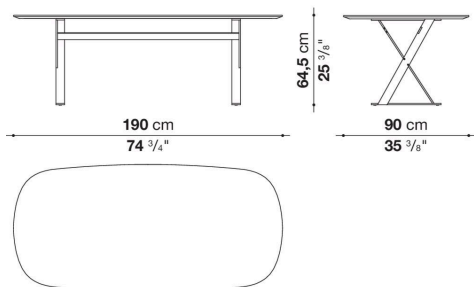
SMT11P



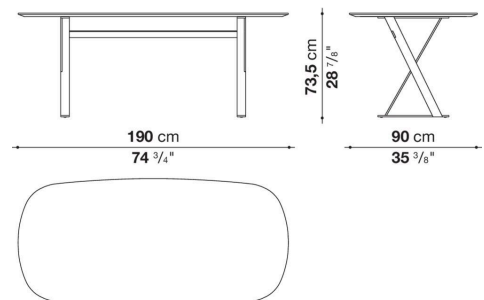
TPA190



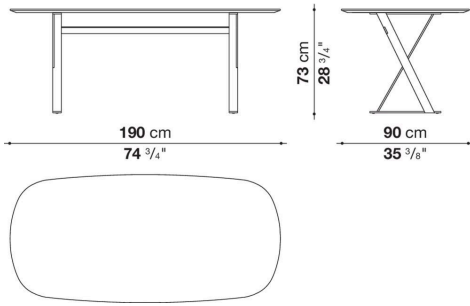
TPA190P



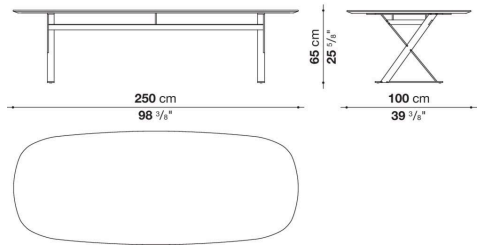
SMTE19



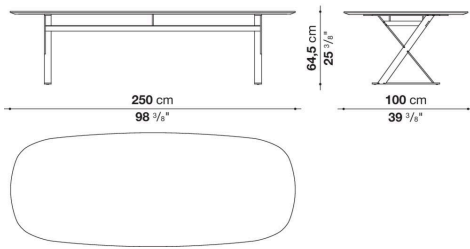
SMTE19P



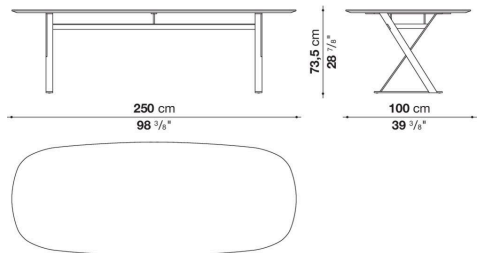
TPA250



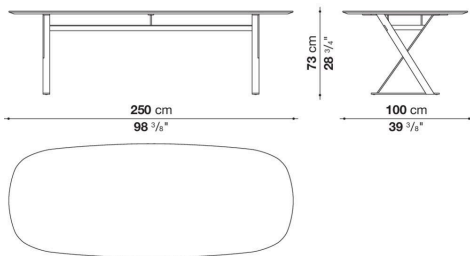
TPA250P



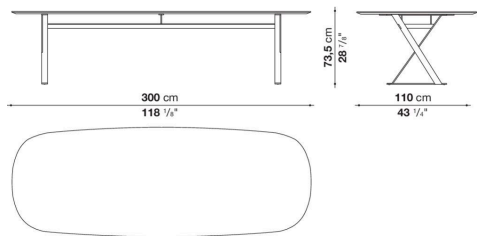
SMTE25



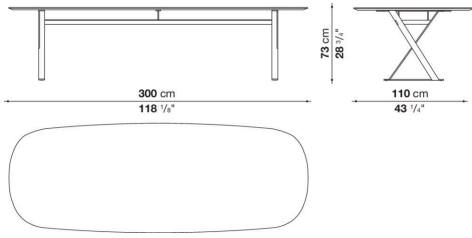
SMTE25P



SMTE30



SMTE30P



SMT8L

