

Nidus

ARMCHAIRS

2018

Antonio Citterio



Description

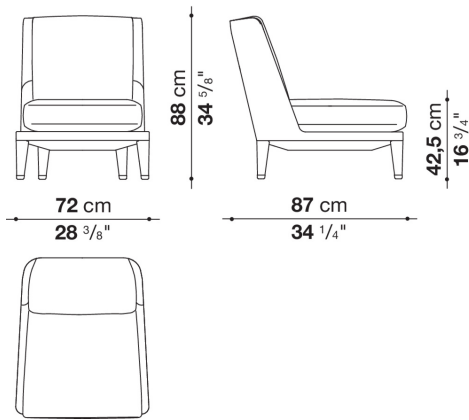
The Nidus armchairs, like the curved sofa of the same series, are designed as elements to be grouped in a free, casual manner, fostering socialisation and conversation in a harmonious and relaxed setting. They come in three fabric or leather covered versions that incorporate the feet, with a small metal detail at the base serving as a decorative feature that also offers protection from impact. For utmost comfort, the version with the highest backrest comes with a removable headrest.

Technical information

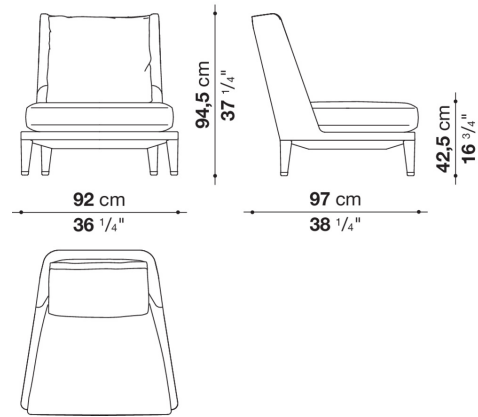
Internal frame
tubular steel and steel profiles
Back and armrest internal frame upholstery
Bayfit® flexible cold shaped polyurethane foam, polyester fibre
Seat cushion upholstery
polyester fibre and shaped polyurethane of different density
Feet
die-cast aluminium and covered in fabric or leather
Ferrules
thermoplastic material
Cover
fabric or leather (raised stitching)

Technical drawings

ND72



ND92



ND73CB

