

## Simpliciter

SOFAS

2003

Antonio Citterio



## Description

---

A timeless evergreen, the Simpliciter sofa comes in two versions united by the same classic contemporary spirit. The first is characterised by refined stitching on the seat cushion, in both the fabric and leather versions, and a frame that leaves the feet exposed. In the other, available exclusively in fabric, the cover reaches as far as the ground, for a younger and more feminine touch.

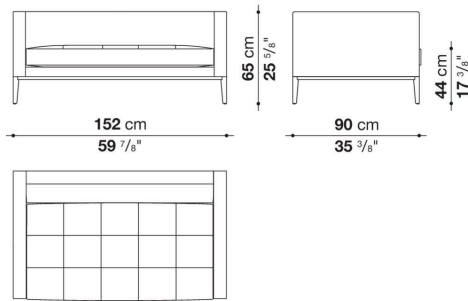
## Technical information

---

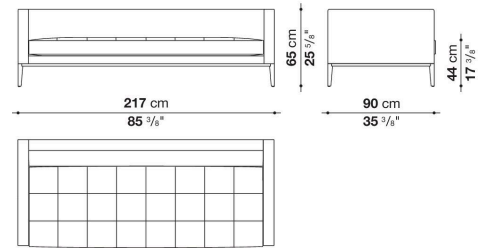
Internal frame  
tubular steel and steel profiles  
Internal frame upholstery  
Bayfit® flexible cold shaped polyurethane foam, shaped polyurethane, polyester fibre cover  
Ottoman internal frame upholstery  
shaped polyurethane of different density, polyester fibre cover  
Seat cushion upholstery  
shaped polyurethane of different density, sterilized down, polyester fibre cover  
Lower edge  
aluminium extrusions  
Feet  
steel sheet  
Ferrules  
thermoplastic material  
Cover  
fabric or leather  
Cover (SMTF)  
fabric

# Technical drawings

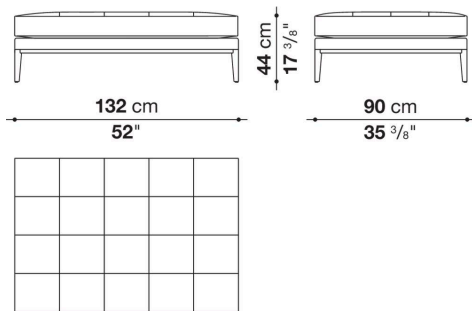
**8SMT152\_1**



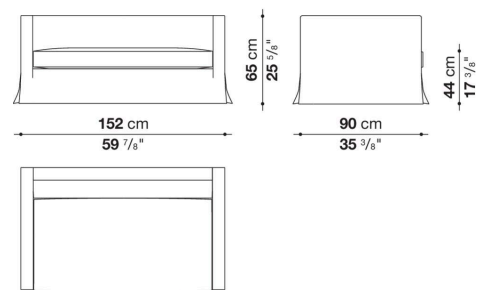
**8SMT217\_1**



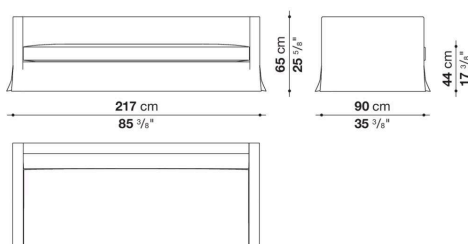
**8SMT132\_1**



**SMTF152\_1**



**SMTF217\_1**



**SMTF132**

