

## Xilos

SMALL TABLES

2002

Antonio Citterio



## Description

---

Round, rectangular and square low tables. The version with the rectangular top can be provided with inclined legs parallel to each other; in the square version the legs forming a cross, as in the case of the round table.

## Technical information

---

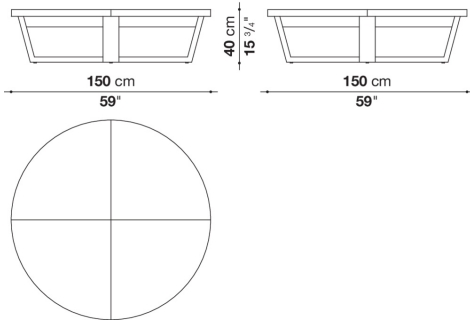
Top  
veneered plywood panel with honeycomb-core and wood particles or lower shelf in ceiba blockboard and MDF, marble (glossy polyester finish)

Frame  
veneered solid wood or solid wood and veneered multi-layered wood panel

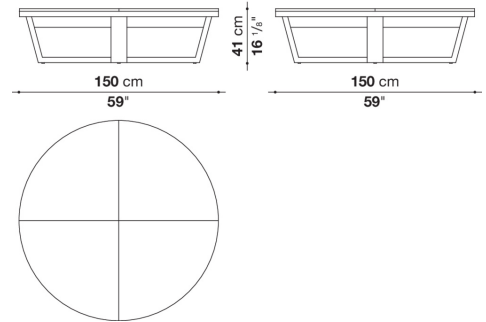
Feet  
steel and plastic material

# Technical drawings

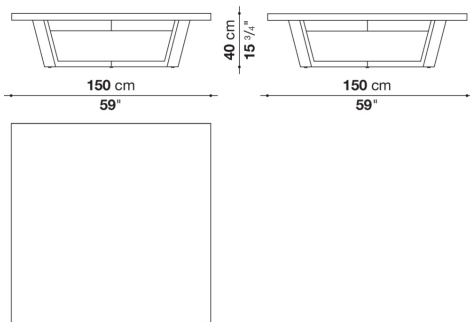
**SMTV15**



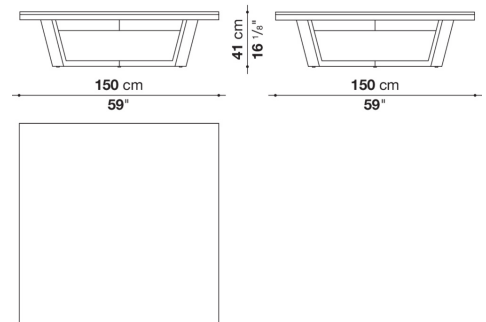
**SMTV15P**



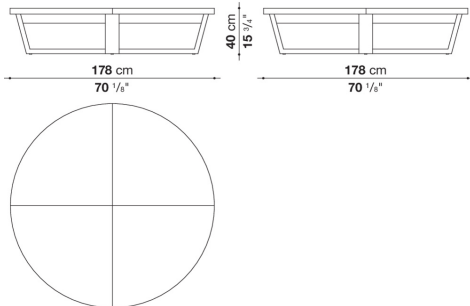
**SMTVQ15N**



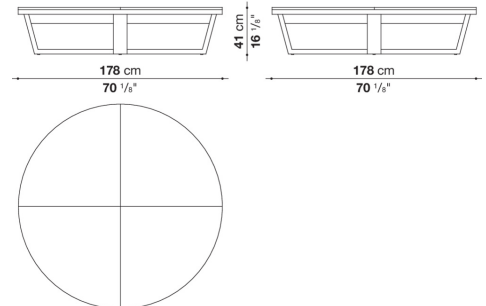
**SMTVQ15P**



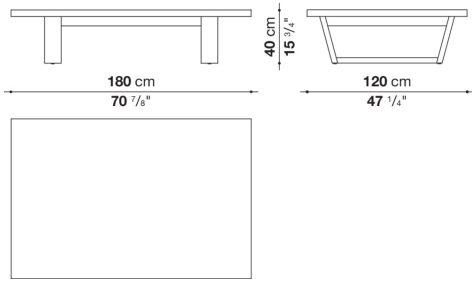
**SMTV18**



**SMTV18P**



**SMTVR18N**



**SMTVR18P**

