

## Acanto

CHAIRS

2010

Antonio Citterio



## Description

---

The Acanto chairs, with or without armrests, have solid wood frames that support comfortable seats covered in fabric or leather; another version, with the same structural characteristics, is designed to be a conversation chair.

## Technical information

---

Internal frame

tubular steel and steel profiles

Internal frame upholstery

Bayfit® flexible cold shaped polyurethane foam, polyester fibre cover

Frame

solid wood

Ferrules

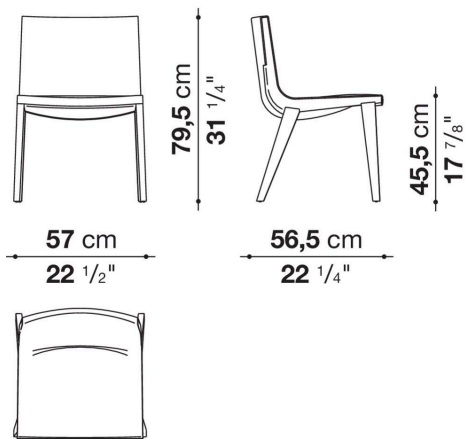
thermoplastic material

Cover

fabric or leather

# Technical drawings

## ARSE



## ARSB

