

## Febo

ARMCHAIRS

2008

Antonio Citterio



## Description

---

The Febo armchairs are a traditional type of seat. Sharing the same soft, elegant lines, they come in different versions, with a more or less enveloping shape, with a high or low backrest, and with or without armrests. The fabric or leather upholstery is embellished by visible blanket stitching and, in a sophisticated single-material version, also incorporates the feet. The base frame also comes in solid wood in different finishes. The Febo series includes sofas, chaise longues, chairs, beds and ottomans.

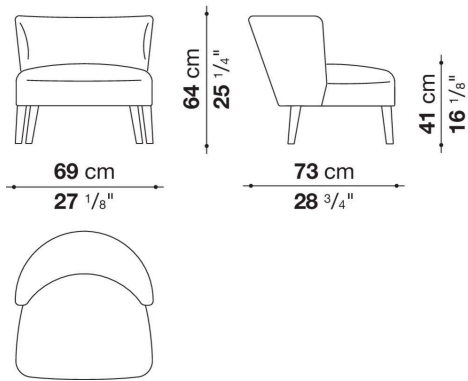
## Technical information

---

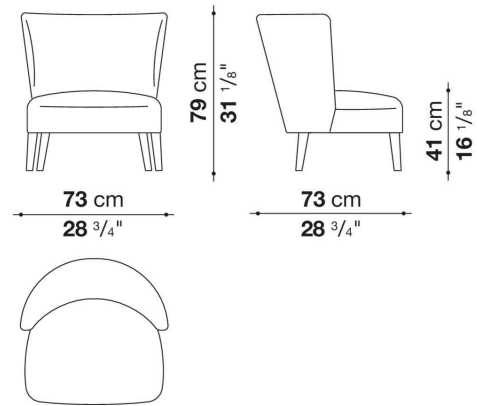
Internal frame  
tubular steel and steel profiles  
Internal frame upholstery  
flexible cold shaped polyurethane foam, polyester fibre cover  
Seat cushion upholstery  
shaped polyurethane, sterilized down, polyester fibre cover  
Headrest upholstery (2830P)  
polyester fibre, cotton cover, steel sheet counterweight  
Chaise longue back cushion (2807)  
sterilized down, polyester fibre, polyester fibre cover  
Legs  
thermoplastic material or covered in fabric or leather  
Base-frame  
solid wood  
Ferrules  
thermoplastic material  
Cover  
fabric (blanket stitching) or leather (blanket stitching or raised stitching)

# Technical drawings

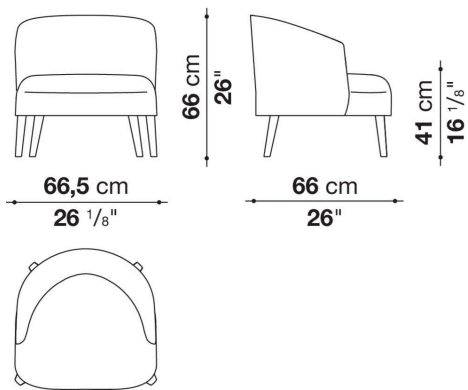
**2800T**



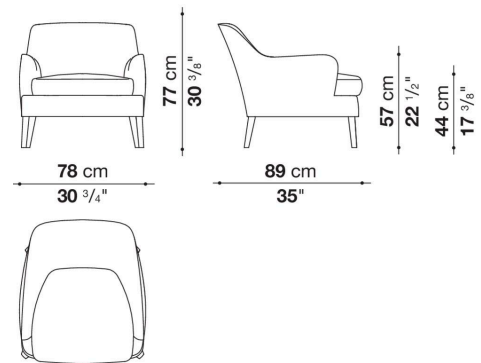
**2801T**



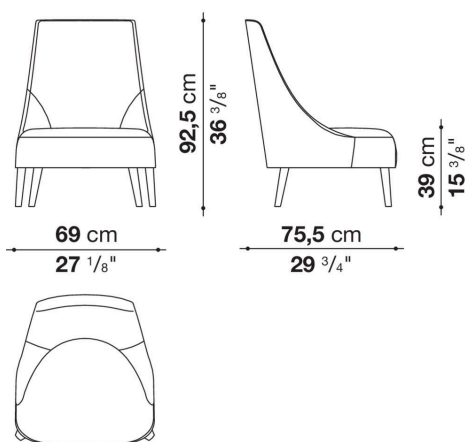
**2809T**



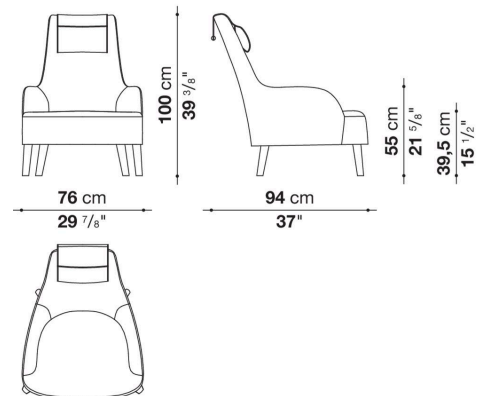
**2837T**



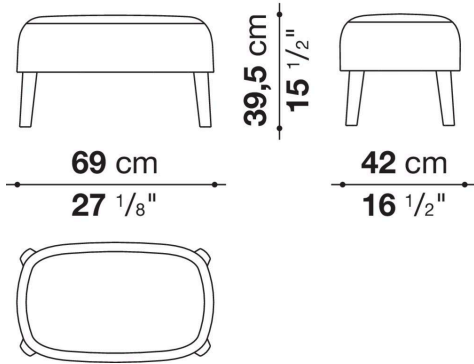
**2820T**



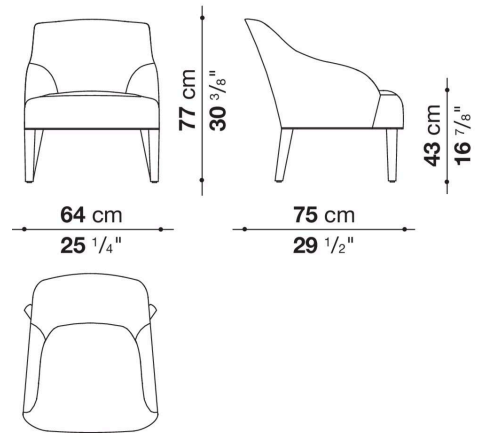
**2850T**



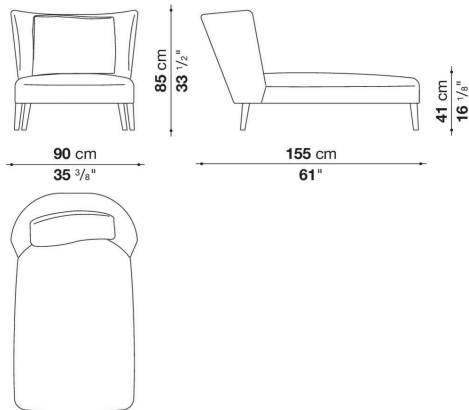
### 2831T



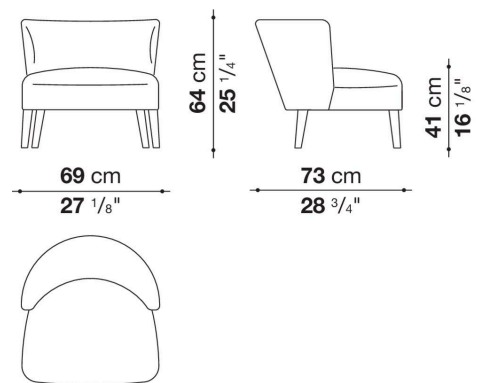
### 2832T



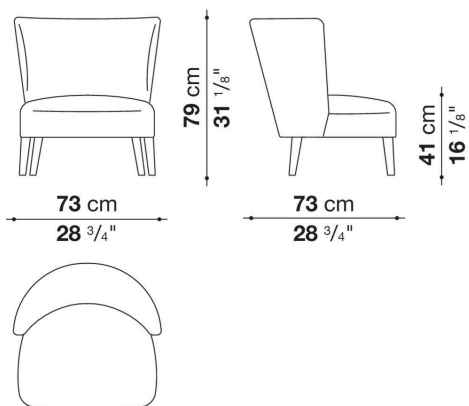
### 2807T



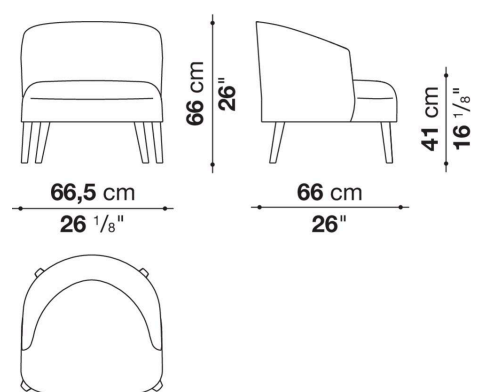
### 2800CT



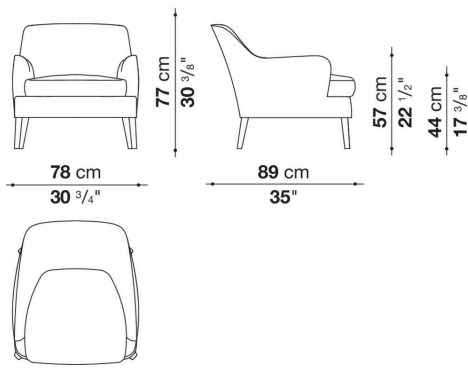
### 2801CT



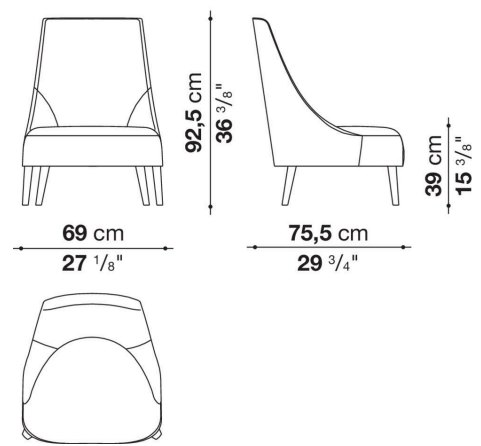
### 2809CT



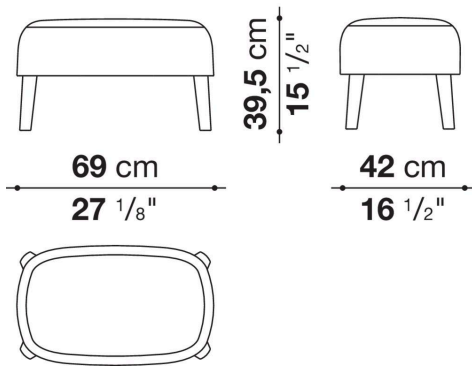
**2837CT**



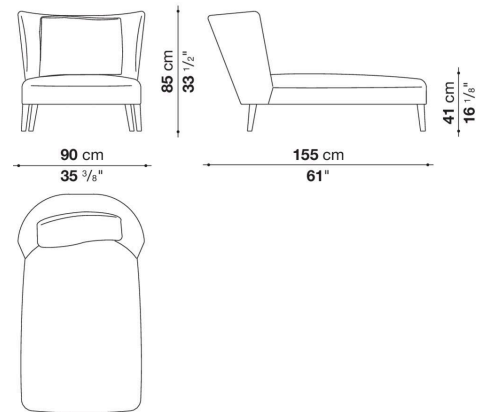
**2820CT**



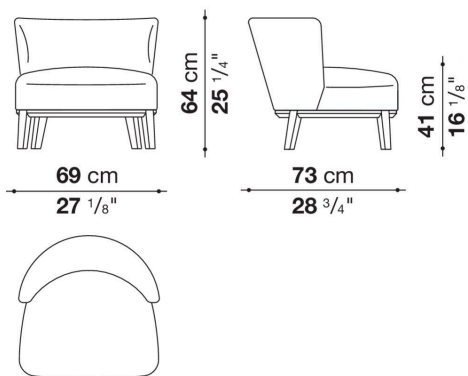
**2831CT**



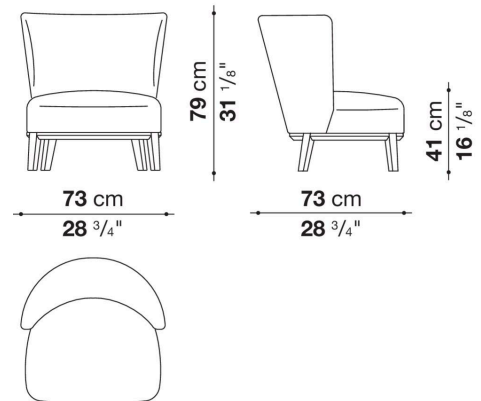
**2807CT**



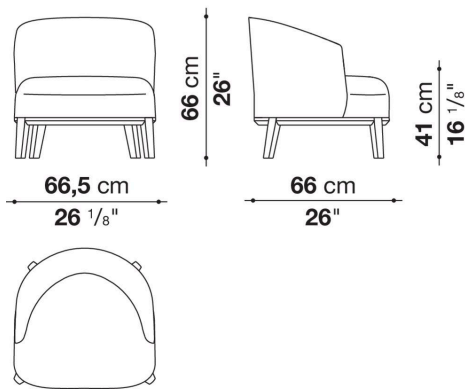
**2800LT**



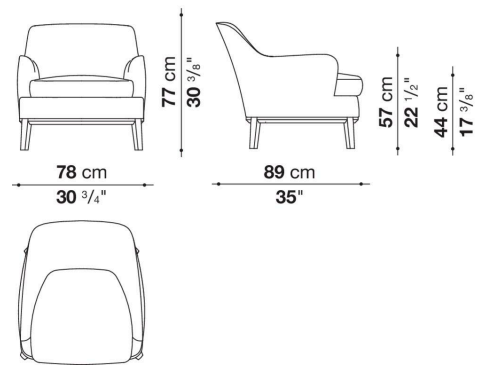
**2801LT**



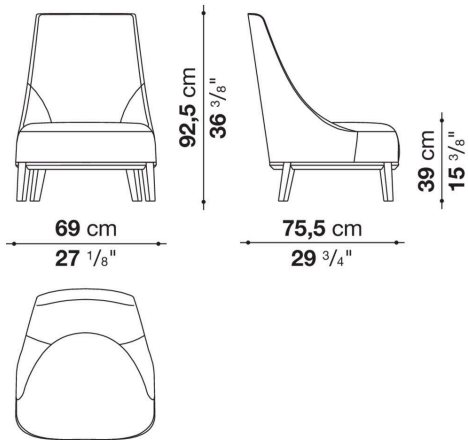
### 2809LT



### 2837LT



### 2820LT



### 2807LT

