

Ebe

SMALL TABLES

1996

Antonio Citterio



Description

Series of small tables with double top with or without drawer, to be placed next to the sofa or the bed.

Technical information

Top (9625-2026)

solid wood, veneered wood particles panel

Top (9623)

solid wood, multi-layered wood panel, veneered wood particles panel

Frame

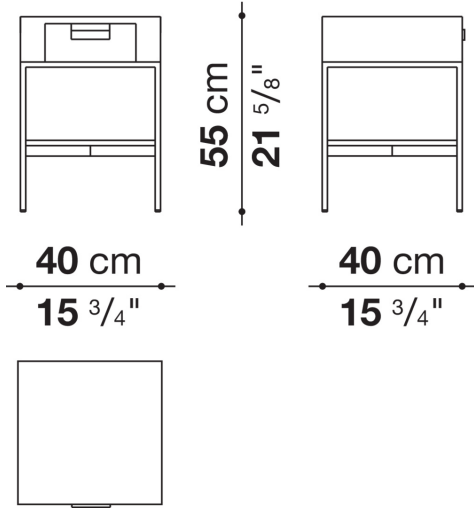
steel profiles

Ferrules

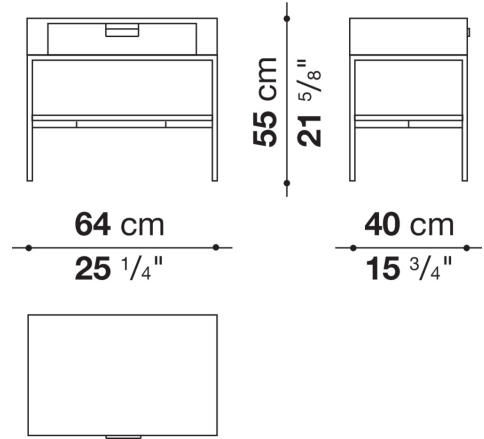
plastic material

Technical drawings

2026



9625



9623

