

Kalos

ARMCHAIRS

1997

Antonio Citterio



Description

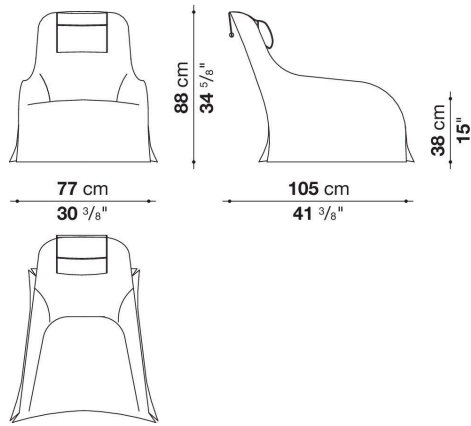
A modern interpretation of the more classic easy chair, Kalos comes both in leather and fabric upholstery. The latter can be stretched or formed by a slipcover hiding the feet or the revolving base. The footrest has two different heights. The feet are in solid wood available in several finishes.

Technical information

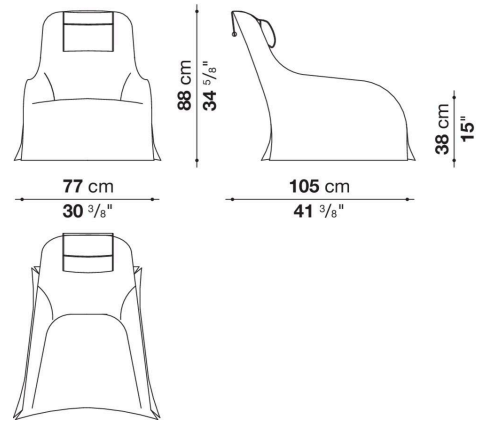
Internal frame
tubular steel and steel profiles
Internal frame (9765_N)
multi-layered wood panel
Internal frame upholstery
flexible cold shaped polyurethane foam, polyester fibre cover
Internal frame upholstery (9765_N)
shaped polyurethane, polyester fibre cover
Headrest upholstery (9750P_N)
polyester fibre, cotton cover, steel sheet counterweight
Swivel base-frame (9750G_N)
steel laminate and aluminium extrusion
Feet
solid wood
Ferrules
thermoplastic material
Cover (9750_NV-9765_N-9765A_N)
fabric or leather (envelope stitching)
Cover (9750F_N-9750G_N-9765AF)
fabric

Technical drawings

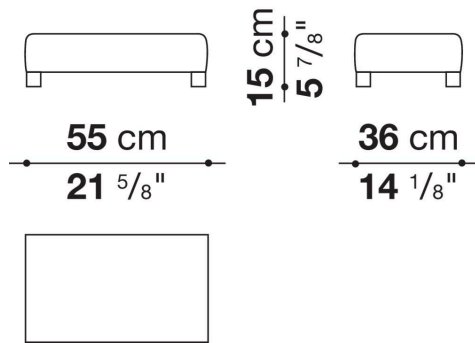
9750G_N



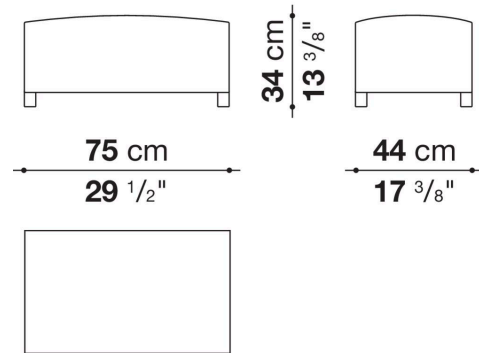
9750F_N



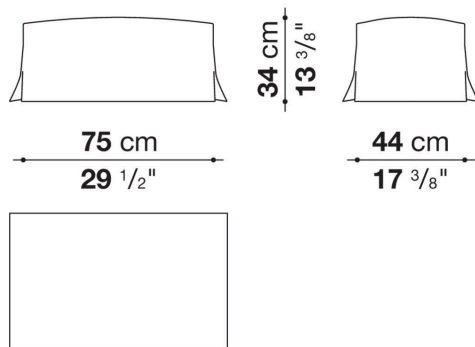
9765_N



9765A_N



9765AF



9750_NV

